

ISO SUB BASE VALVE

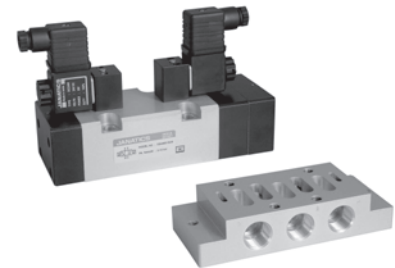
Series DS4

Cat No DS4 - 01 - 01

ISO SUB BASE VALVE - SIZE 3

Features

- Mounting interface suitable for ISO 5599-1
- Manual override
- Wide range of coil voltages

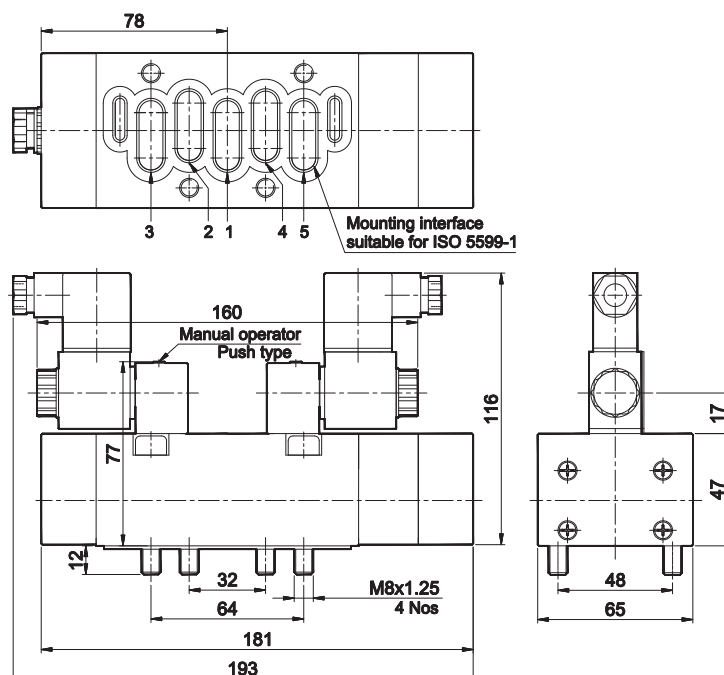


Technical Specifications

Model	DS4
Type	5/3
Design	Spool type
Mounting interface	Suitable for ISO 5599 - 1 size 3
Pneumatic connection on sub base	G1/2
Medium	Compressed air filtered, lubricated
Minimum working pressure	2 bar
Maximum working pressure	10 bar
Recommended oil for lubrication	ISO VG32 (Servo system 32)
Ambient temperature	-10° to +60° C
Medium temperature	+5° to +50° C
Flow @	4500 lts/min
Materials of construction	Aluminium, Nitrile, Brass, Acetal, PBT, Zinc, Steel
Electrical	
Coil width	22 mm
Voltage (V) ± 10%	AC (50 Hz) - 24, 48, 110, 220 DC - 12, 24, 48, 110
Power consumption	AC - 6 VA, DC - 5 W
Duty cycle	Continuous
Class of insulation	Class F
Type of coil protection	IP65
Cable entry (PG9)	Suitable for Ø6 to Ø8 OD Cable (2wire / 3wire)

@ Inlet pressure 6 bar, and pressure drop 1 bar

5 / 3 Solenoid spring centered valve (Blocked)



1 - Inlet, 2,4 - Outlet, 3,5 - Exhaust

Ordering No*	DS43601 SC8
Symbol	

* For ordering no., voltage to be added.

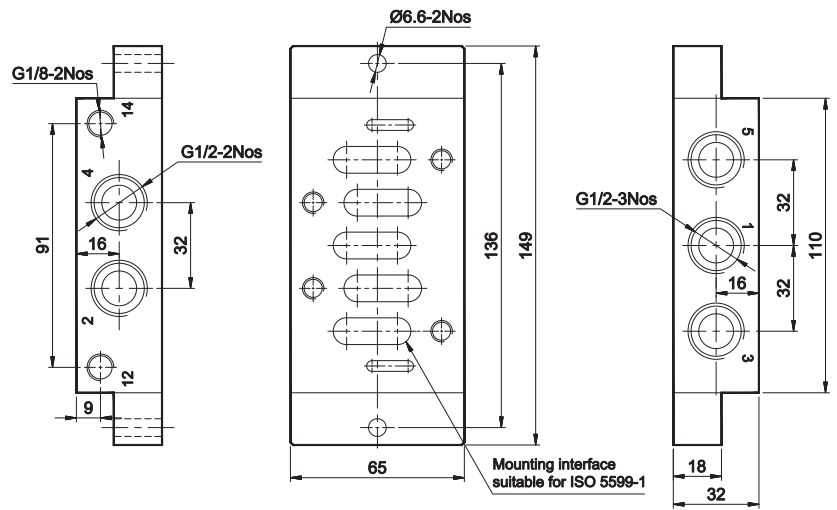
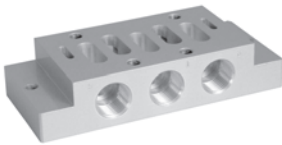
ISO SUB BASE VALVE

Series DS4

Cat No DS4 - 01 - 01

ISO SUB BASE - SIZE 3

Ordering No
M01363



How to order

1. Solenoid valve + “Connectors without LED”

While ordering Solenoid operated valves, please mention the suffix given below along with the model number to indicate the required voltage

A	220V AC	Q	110V DC
B	110V AC	S	48V DC
D	48V AC	W	24V DC
G	24V AC	R	12V DC

Example

- The ordering no. for ISO size 3 - 5/3 24V D.C Solenoid spring centered valve with PG cable is **DS43601SC8-W**
- The ordering no. for ISO size 3 - 5/3 24V D.C Solenoid spring centered valve with Moulded cable is **DS43601SC8-W1**

2. Solenoid valve + “Connectors with LED”

While ordering Solenoid operated valves with LED connectors, given below in the corresponding tables.

Voltage		Housing Colour & Indication		LED colour	Connection type		
A	220V AC			R	Red	0	PG Cable entry
G	24V AC			1	Moulded cable (with 2metre length)		
W	24V DC						
		T0	Transparent housing with Bipolar LED indicator confirming supply voltage				
		T1	Transparent housing with Bipolar LED indicator confirming supply voltage plus varistor to give over voltage protection to the source and load				

Example

The Ordering no for ISO size 3 - 5/3 24V D.C Solenoid spring centered valve (Blocked), connectors with LED of Transparent colour housing with Bipolar LED and varistor, Red colour LED with moulded cable: **DS43601SC8-WT1R1**

Subject to change